

PACIFIC OZONE™ GS SERIES OZONE GENERATOR SYSTEMS



PRECISION OZONE CONTROL FOR POWERFUL DISINFECTION

The Pacific Ozone™ GS Series Ozone Generator Systems deliver reliable rates from 18-70g/hr, within a compact stainless-steel enclosure with built-in safety features. The system maintains precision control with regulated feed gas flow rates for efficient ozone production and performance optimization. GS generator systems combine the Pacific Ozone system's Air-Cooled Floating Plate Technology and advanced Powertron power supply with on-board concentrated oxygen simplifying your ozone production.

CONFIGURATIONS

The ECO configuration is a wall-mountable enclosure with a simplified, DCPI interface. The ECO-COMP configuration offers all the benefits of the ECO version with the added benefit of an integrated air compressor.

EASY TO INSTALL AND OPERATE

The GS series ozone generator is designed for seamless and easy installation in industrial applications. Factory tested and ready to use, the GS Series requires only a single point power connection and feed gas to produce a high concentration of ozone from the air-cooled enclosure. The wall or skid mountable enclosure allows ultimate flexibility for new installations, or to upgrade and retrofit existing industrial ozone installations. No cooling water is required, simplifying the process. Power is supplied by standard 240V 50/60Hz line voltage or 120V for lower capacities. GS Series control features offer automatic operation and integration with other process system protections and safety configurations. The seamless operation and integration will provide you assurance in your process.

PEACE OF MIND IN PERFORMANCE

The GS Series offers proven and reliable ozone output. The performance can easily be verified, when required, delivering qualified and verifiable performance. With the real-time monitoring and the quality design, the units require less maintenance and provide more process uptime to keep your production efficiency high. All GS Series systems are engineered to meet all of the ozone process requirements found in the most demanding applications. They are easy to install, simple to operate, and will provide years of trouble-free operation, making them the perfect solution for today and tomorrow.

FEATURES

- Corrosion Resistant Stainless Steel Enclosure
- Air-Cooled FPT Titanium Reactor Cells
- No Cooling Water is Required
- Precision Linear Ozone Control by Powertron
- On-Board Concentrated Oxygen
- Set and Forget Back Pressure Control
- Visual Ozone Indication

BENEFITS

- Energy Efficient - Low Operating Costs
- Compact Footprint
- Wall-Mountable Package
- Simple Installation and Integration
- Ideal for Upgrading Existing Systems
- Instinctive Layout and Design
- Alarm and Control Logic Designed for Safety

MARKETS

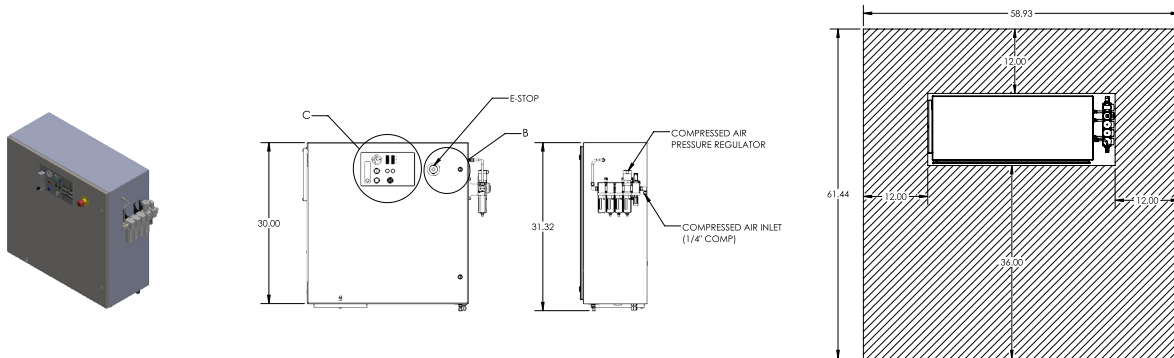
- Food & Beverage
- Pharmaceuticals
- Aquaculture

THE POWERTRON DIFFERENCE

Powertron is our latest innovative technology aimed at helping you maximize your operational efficiency. Now integrated into our complete product lineup, this novel power supply design provides a new method to control power for precision O₃ output that uses less energy. With 100% linear turndown capability, this advanced technology provides stabler and quieter performance with its enhanced, robust design. The design offers

revolutionary and precise control of the power in the cell to produce the corona, so energy does not become wasted heat. The design allows for unique monitoring of electrical parameters to deliver efficient energy usage reliably while improving performance and reducing maintenance needs.

SIMPLE. PROVEN. OZONE TECHNOLOGY.



TECHNICAL SPECIFICATIONS*

Ozone Production (g/h)	Normal Flow (SCFH)	Compressed Air (SCFM)	Reactor Cell Operating Pressure (psi)	Power Consumption (Watts)**
18	10	5	6-9	400
36	20	5	6-9	600 (1200***)
54	30	10	6-9	900
70	40	10	6-9	950

*Nominal under standard operating conditions.

**Power consumption includes air-cooling.

***ECO COMP configuration.

Evoqua Ozone Generation systems undergo factory acceptance testing to ensure they are capable of producing the desired ozone concentration, based on operational parameters outline in the Operating Manual. System performance of microorganism inactivation depends on the CT value, pH, and temperature of water. Performance limitations depend on feed conditions, overall installed system design, and operation and maintenance processes; please refer to Operations Manuals. For more information: Contactus@evoqua.com



AQUAANALYTIC LLC



Business Center 1, M Floor,
The Meydan Hotel, Nad AlSheba,
Dubai, U.A.E.

+31 715 69 01 51

<https://aquaanalytic.ae>
info@aquaanalytic.ae