

# GOgen<sup>®</sup> A Series



Advanced Technology  
Solutions for Onsite Green  
Oxidant Generation

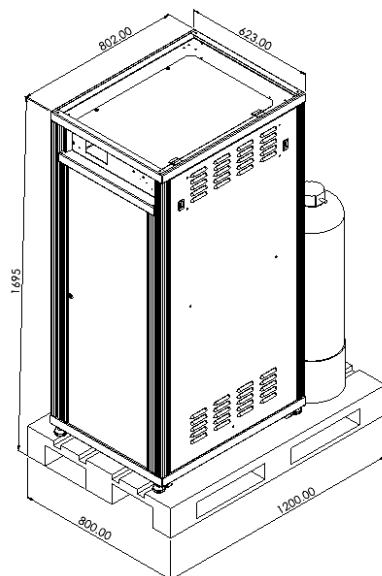
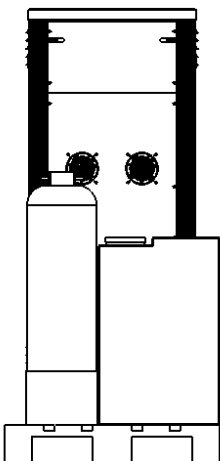
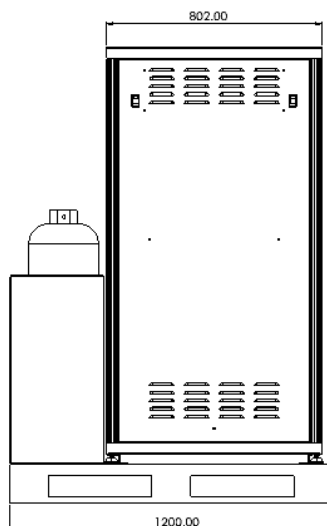
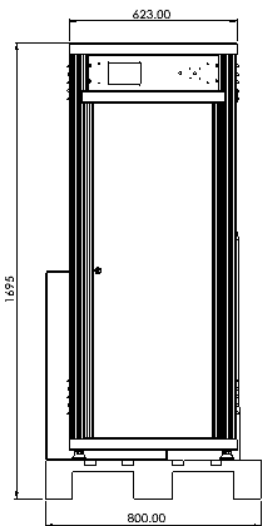
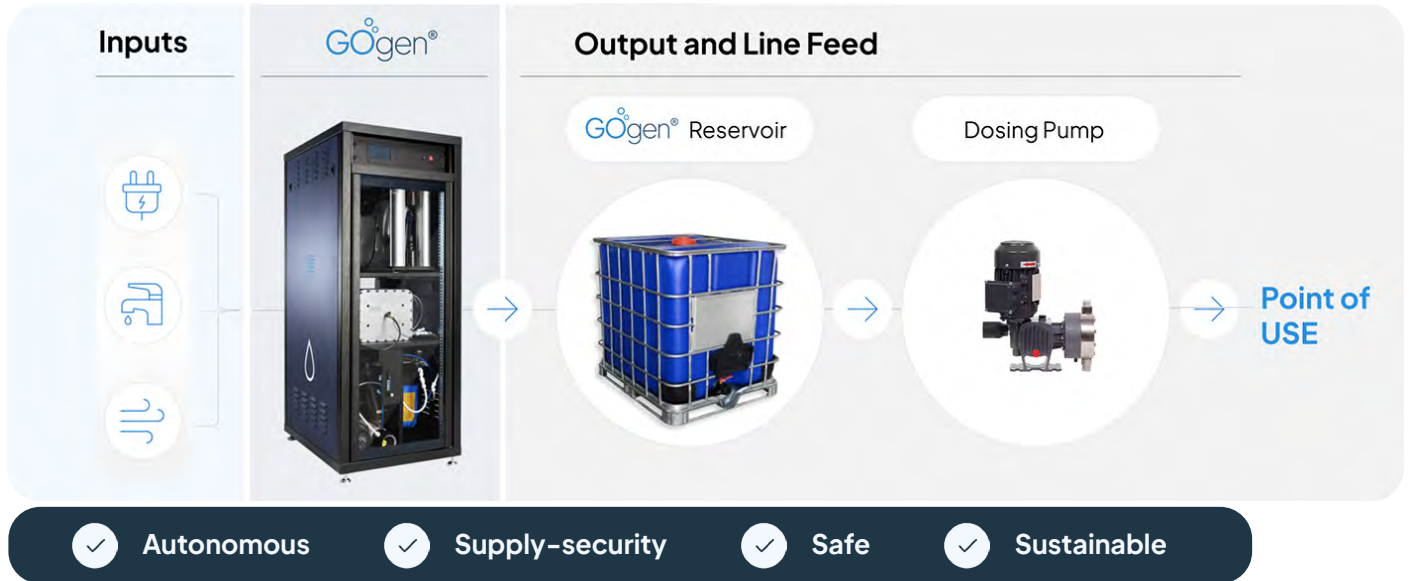
## Benefits / Characteristics

- **Onsite Peroxide UltraPure™** generation
- **Chemical-input free** - Only water, electricity and air as inputs
- **> 99.999 % purity** Hydrogen Peroxide, zero additives
- **Safe** output concentration, low DC voltage
- **Autonomous** - fully automated operation
- **Cost effective** - saves chemicals, storage, handling
- **Sustainable** - Peroxide UltraPure™ breaks down to pure water and oxygen. Offsets up 3 Ton CO<sub>2</sub> eq / Ton Peroxide.

Performance Data	GOgen® A1000	GOgen® A3000
Throughput [maximum g net Peroxide UltraPure™/day]	1000	3000
Volume of Peroxide UltraPure™ produced per day [L/day]	100	300
Output Peroxide UltraPure™ Concentration [%] <sup>1</sup>	1%	
Inputs		
Power consumption [kW]	1.3	2.6
Minimum circuit breaker Only the <b>GOgen®</b> unit should be connected to the circuit breaker to ensure proper operation	>16A, able to handle continuous operation at the above power	
Power inlet	Single phase 220V/50Hz or 240V/60Hz <b>It is strongly recommended to connect GOgen® via a 1.2 kWh UPS</b>	
Water consumption [m <sup>3</sup> /day]	Municipal-grid drinking water / Reverse Osmosis <sup>2</sup>	
	0.5 / 0.1	1.5 / 0.3
Water connections on back	3/8" quick connect for water feed and 1/2" quick connect for peroxide output	
Dimensions		
Length x Width x Height [mm]	802 x 623 x 1514	
Weight [kg]	100	
IP rating (cabinet)	IP54	
Operating Range		
Feed water pressure [bar]	0 – 4	
Environment	Indoors	
Water temperature [°C]	10 – 25	
Ambient temperature [°C]	3 – 35	
Humidity [RH%]	0 – 70	
Electrodes		
Core technology	Proprietary HPNow catalyzed membrane technology. Liquid-electrolyte free.	

1. Output concentration can vary by up to +/- 20%

2. Water consumption depends on input water quality. Water may be reused to decrease consumption. Additional water pre-treatment components may be required if input water quality deviates from recommended values. Please consult with HPNow.



A free space of at least 90 cm in the front, and 60 cm around the unit in other directions is recommended to facilitate maintenance procedures.

General	
Conductivity [ $\mu\text{s}/\text{cm}$ ]	800
Turbidity [NTU]	1
SDI (15 min) [mg/L]	0.05
Hardness [ $^{\circ}\text{dH}$ ]	8 (water softener recommended with harder water)
Anions	
Nitrates ( $\text{NO}_3^-$ ) [mg/L]	10
Chloride ( $\text{Cl}^-$ ) [mg/L]	100
Fluoride ( $\text{F}^-$ ) [mg/L]	1
Sulfate ( $\text{SO}_4^{2-}$ ) [mg/L]	80
Bicarbonate ( $\text{HCO}_3^-$ ) [mg/L]	350
Cations	
Calcium (Ca) [mg/L]	80
Sodium (Na) [mg/L]	50
Magnesium (Mg) [mg/L]	25
Iron (Fe), Copper (Cu), Manganese Mn [mg/L]	1
Others	
Hydrogen sulfide ( $\text{H}_2\text{S}$ ) [mg/L]	0.5



GOgen® is determined by the U.S. EPA as a pesticide device which does not require registration under FIFRA. GOgen® is not intended for biocidal applications in the EU under the EU Biocidal Products Regulation.



AQUAANALYTIC LLC



Business Center 1, M Floor,  
The Meydan Hotel, Nad AlSheba,  
Dubai, U.A.E.

+31 715 69 01 51

<https://aquaanalytic.ae>  
[info@aquaanalytic.ae](mailto:info@aquaanalytic.ae)